

# INSD02IRCPTZ25X

## 2.4MP 1080P HD over Coax 25X PTZ

- 1/2.8" 2 Megapixel STARVIS™ CMOS
- Powerful 25x optical zoom
- Maximum 50/60 fps at 1080P
- Starlight Technology
- True WDR 120dB
- IR distance up to 150m



**HD over Coax**

### Unify your Security Solution

Starlight Technology Improve your levels of security by using our Starlight technology. With its optical features, Starlight Technology will be able to balance all lighting throughout a scene. This will capture any colored details regardless of the lighting.

### HD over Coax

The HD over Coax technology can support up to 4 signals transmitted over coaxial cable. With the dual-way data transmission the HD over Coax camera can interact with the STORM DVR by alarm triggers or control signals.

### Wide Dynamic Range

This camera offers vivid imaging in any scenario. Using industry-leading WDR technology, you'll be able to capture the subject in the most contrast lighting conditions.



\*Design and specifications are subjects to change without notice.



# INSD02IRCPTZ25X

## Product Specifications

### 2.4MP 1080P HD over Coax 25X PTZ

Camera				
Image Sensor	1/2.8" 2 Megapixel STARVIS™ CMOS			
Effective Pixels	1920(H) x 1080(V)			
Scanning System	Progressive			
Electronic Shutter Speed	PAL: 1/3s~1/30,000s NTSC: 1/4s~1/30,000s			
Minimum Illumination	Color: 0.005 Lux at F1.6; B/W: 0.0005 Lux at F1.6; 0 Lux at F1.6 (IR on)			
S/N Ratio	More than 55 dB			
IR Distance	Distance up to 150m (492ft)			
IR LEDs	6			
Camera Features				
Day/Night	Auto(ICR) / Color / B/W			
Blacklight Compensation	BLC / HLC / WDR(120dB)			
White Balance	Auto, ATW, Indoor, Outdoor, Manual			
Gain Control	Auto/Manual			
Noise Reduction	Ultra DNR (2D / 3D)			
Digital Zoom	16x			
Privacy Masking	Up to 24 areas			
Defog	Supported			
Flip	180°			
Lens				
Focal Length	4.8 mm – 120 mm			
Max. Aperture	F1.6 – F4.4			
Viewing Angle	H: 62.8° ~ 2.6°			
Optical Zoom	25x			
Focus Control	Auto / Manual			
Pan/Tilt/Rotation	Pan: 0° ~ 360° endless; Tilt: -15° ~ 90°, auto flip 180°			
DORI Distance	Detect	Observe	Recognize	Identify
	1613m (5292ft)	646m (2119ft)	323m (1060ft)	161m (528ft)
Video				
Resolution	1080P(1920×1080) / 720P(1280×720)			
Frame Rate	25/30fps at 1080P; 25/30/50/60fps at 720P			
Bit Rate	1-channel BNC high definition video output / CVBS standard definition video output (switchable)			

\*Design and specifications are subjects to change without notice.



# INSD02IRCPTZ25X

## Product Specifications

2.4MP 1080P HD over Coax 25X PTZ

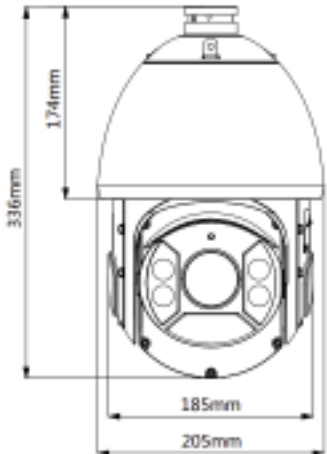
PTZ	
Manual Control Speed	Pan: 0.1° ~160° /s; Tilt: 0.1° ~120° /s
Preset Speed	Pan: 240° /s; Tilt: 200° /s
Presets	300
PTZ Mode	5 Pattern, 8 Tour, Auto Pan, Auto Scan
Speed Setup	Human-oriented focal Length / speed adaptation
Power up Action	Auto restore to previous PTZ and lens status after power failure
Idle Motion	Activate Preset / Scan / Tour / Pattern if there is no command in the specified period
Interface	
Video	1
RS485	1
Audio Interface	1 channel In
Alarm In/Out	2/1
General	
Power Supply	AC24V/3A(±10%)
Power Consumption	Less than 23W
Working Environment	-40°C ~ 60°C (-40°F ~ +140°F) / Less than 95% RH
Vandal Resistance & IP	IP66
Weight	18.3 lbs (8.3kg)
Dimensions	Φ205(mm) x 336(mm)

\*Design and specifications are subjects to change without notice.



# INSD02IRCPTZ25X

2.4MP 1080P HD over Coax 25X PTZ



## Product Specifications



**Wall Mount  
(Included)**



**INSX120  
Junction Box**



**INSX303  
Wall Mount**



**INSX150  
Pole Mount**



**INSX114  
Mount Adapter**



**INSX151  
Corner Mount**



**INSX140  
Junction Box**



**INSXPARA  
Parapet Mont**



**INSX300  
Ceiling Mount**

Ceiling Mount	Junction Mount
INSX114 + INSX300	INSX114 + INSX303 + INSX120
Power Box Mount	Pole Mount
INSX140 + INSX303 + INSX114	INSX150 + INSX303 + INSX114
Corner Mount	Parapet Mount
INSX151 + INSX303 + INSX114	INSX114 + INSXPARA

\*Design and specifications are subjects to change without notice.

